



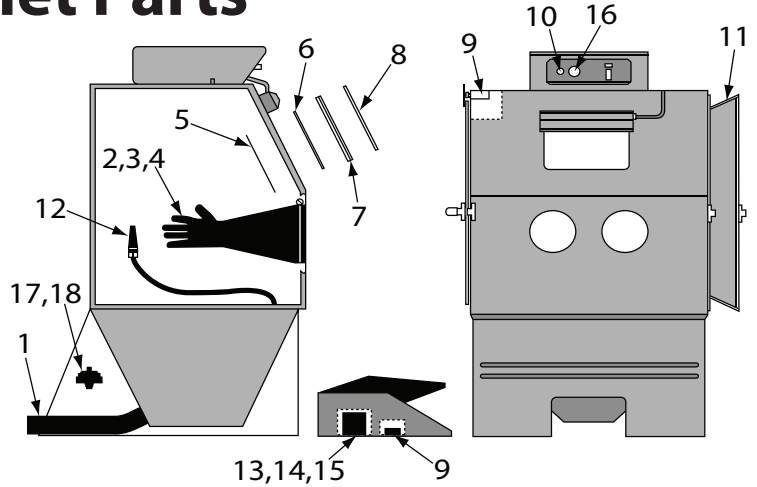
PARTS CHECKLIST

Be Sure The Part You Need Is The Part You Get



Clemco/Zero Style Cabinet Parts

Customer PO #: _____
 Company Name: _____
 Contact Name: _____



Line #	Image	Part Number	Description
<input type="checkbox"/> 1		1830-100	HOSE, CONVEYING, MEDIUM DUTY, NOMINAL 6" ID, PRICE PER FOOT, BOX SIZE 50'
<input type="checkbox"/> 1		1830-20	HOSE, CONVEYING, MEDIUM DUTY, NOMINAL 4" ID, PRICE PER FOOT, BOX SIZE 50'
<input type="checkbox"/> 1		1830-70	HOSE, CONVEYING, MEDIUM DUTY, NOMINAL 5" ID, PRICE PER FOOT, BOX SIZE 50'
<input type="checkbox"/> 2		1239-85	GLOVE, 8" x 31", PAIR
<input type="checkbox"/> 3		1239-70	GLOVE, 8" x 31", LEFT
<input type="checkbox"/> 4		1239-80	GLOVE, 8" x 31", RIGHT
<input type="checkbox"/> 5		161-900	WINDOW LENS KIT, TAPED, 11" x 19-1/2", 5 PACK

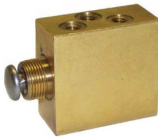



Line #	Image	Part Number	Description
<input type="checkbox"/> 6		112-2120	GLASS, WINDOW, 12.5" x 19.5", LAMINATED
<input type="checkbox"/> 7		1827-100	GASKET, WINDOW, 60' MIM
<input type="checkbox"/> 8		1827-110	GASKET, FILLER STRIP, 60' MIM
<input type="checkbox"/> 9		1569-3950	VALVE, AIR, DOOR LIMIT
<input type="checkbox"/> 10		1431-360	REGULATOR, PILOT
<input type="checkbox"/> 11		1827-60	GASKET, SPONGE RUBBER, 60' MIM
<input type="checkbox"/> 12		1348-220	NOZZLE, BLOW OFF





PARTS CHECKLIST

Be Sure The Part You Need Is The Part You Get



Line #		
<input type="checkbox"/>	13	 120-0260 VALVE, FOOT PEDAL, AIR
<input type="checkbox"/>	14	 111-7310 FITTING, 10-32 x 1/8" PIPE
<input type="checkbox"/>	15	 119-5770 HOSE, TWIN, 1/8" ID, URETHANE
<input type="checkbox"/>	16	 111-8310 GAUGE, PRESSURE, 0 -100 PILOT REG

Line #		
<input type="checkbox"/>	17	 1431-370 REGULATOR, 3/8" PILOT OPERATED
<input type="checkbox"/>	18	 111-3450 REGULATOR, 1/2" PILOT OPERATED
<input type="checkbox"/>	19	 111-5860 LIGHT COVER, INCANDESCENT

Proudly Distributed By



2717 Tobey • Indianapolis, IN 46219
 (317) 545-0665 • FAX (317) 545-0670 • (800) 800-0665
www.idsblast.com